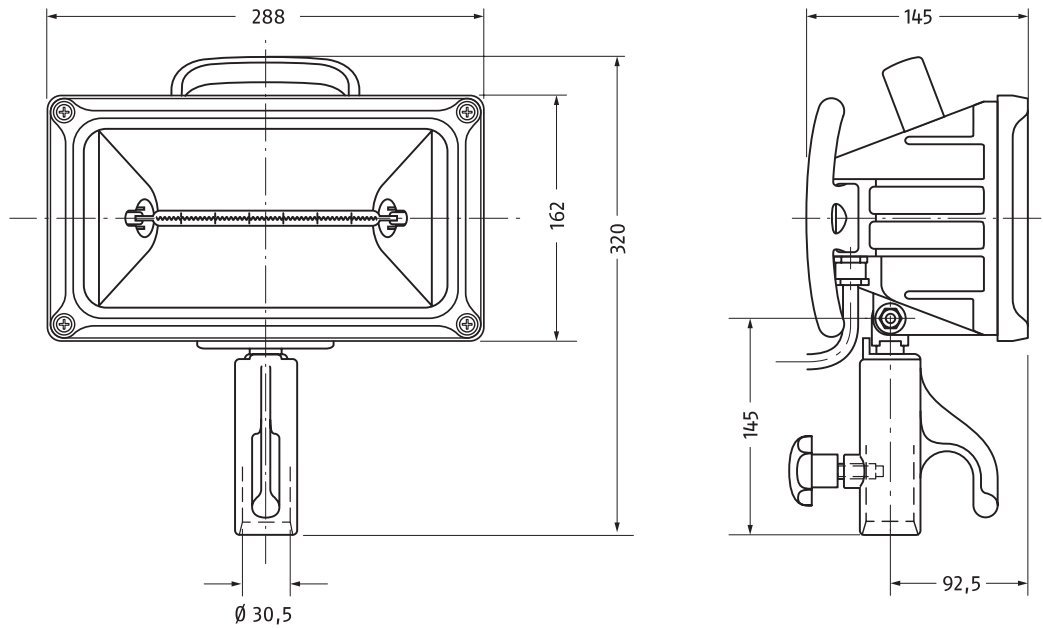


# HALOGEN FLOODLIGHT BS 1000

with Halogen Lamp 230 V / 1000 W



GS-tested according to DIN EN 60 598-2-5, certified by TÜV SÜD

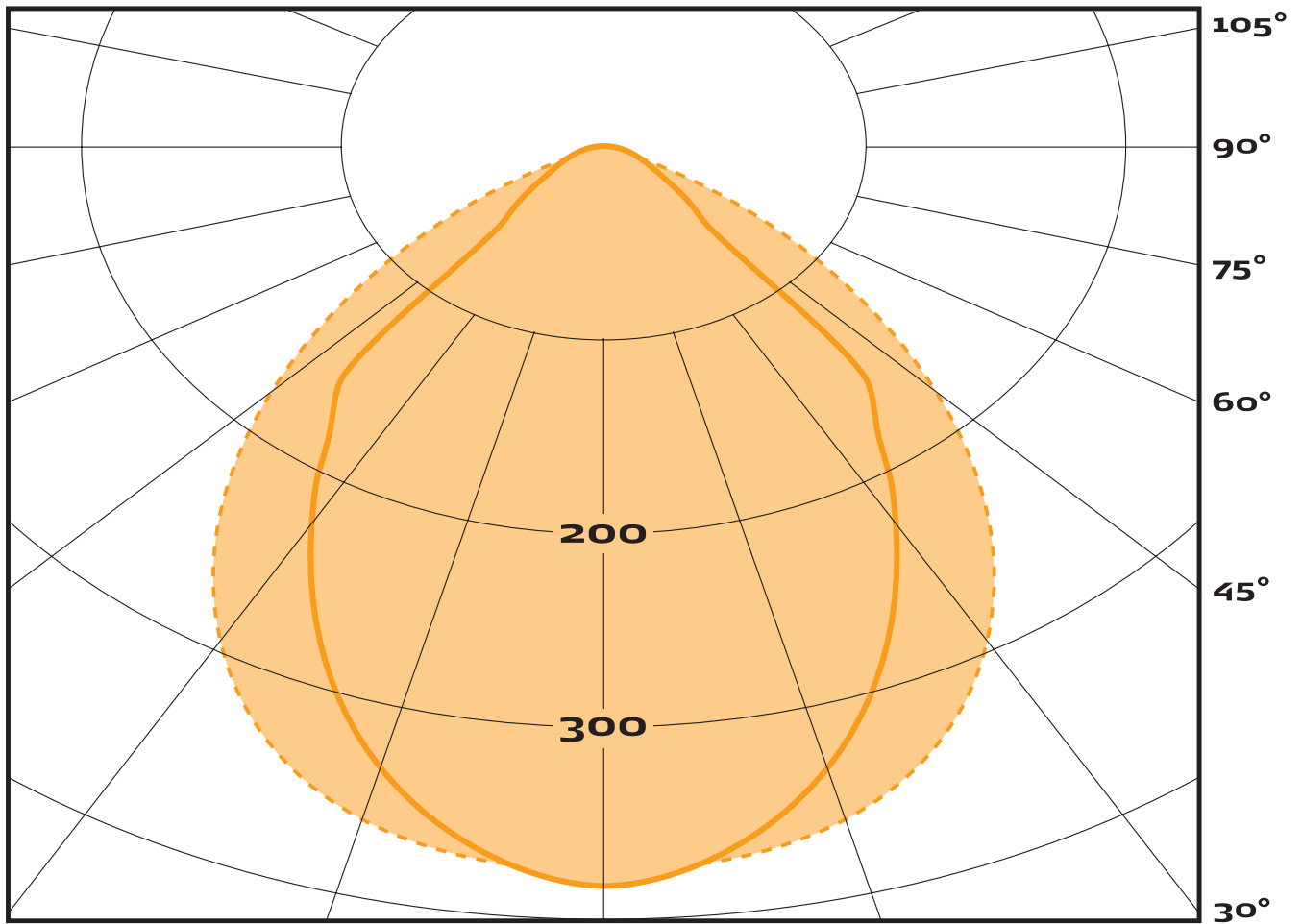
Aluminium housing	cooling fins, black, powder-coated, dust-proof and protected from water spray acc. to IP 55
Reflector	hammered and anodized, developed in collaboration with a special institute (certified acc. to DIN EN 45011), resulting in maximum utilization of light
Lamp	Halogen lamp 230 V / 1000 W, impact-resistant and position-insensitive (equates to more than 11,000 lumen effective light output)
Safety cover	vitroc ceramic (glass ceramic), light outlet 120 x 250 mm, impact-resistant with mounting in all-round seal, insensitive to temperature differences
Connecting lead	10 m, heavy rubber hose line H 0 7 RN-F 3G 1,5 with safety contact plug, lockable, 16A 250V acc. to DIN VDE 0620
Fastening, attachment	to tripod or vehicle, using a joint and attachment piece via an aluminium bolt acc. to DIN 14 640
Handles	1 carrying handle and 2 side handles ensure optimum handling, the side handles are also used for winding and unwinding the cable
Weight	approx. 5.0 kg (with 10 m cable and plug)
Special versions	e.g. halogen lamps 500 W or 750 W, any desired cable length - also available without plug(s), handles, joint or attachment piece



KARL *Meister* GmbH

# HALOGEN-FLOODLIGHT BS 1000

Luminous intensity distribution polar



$I$  (cd/klm)

—  $C_{0,0}$

- - -  $C_{90,0}$

KARL *Meister* GmbH