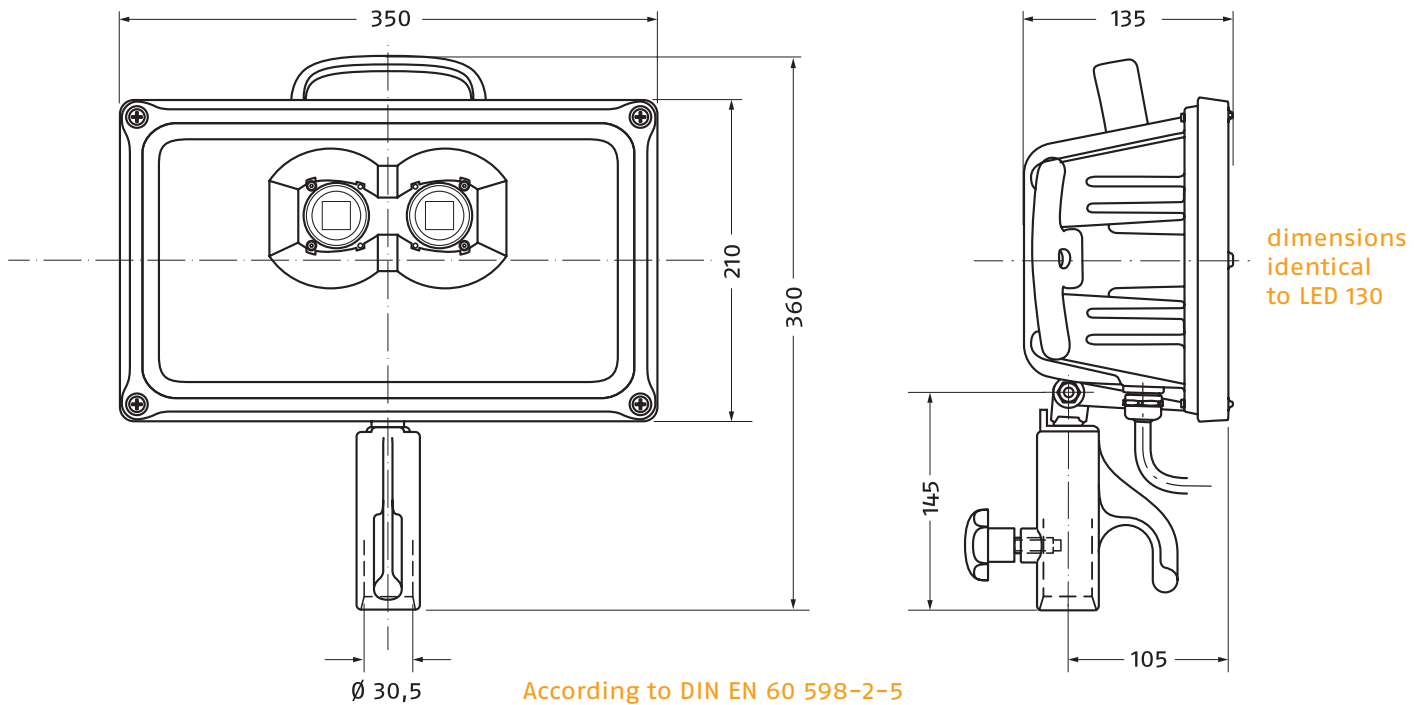


LED-FLOODLIGHT LED 180 AC

with 2 x High Power LED 23,100 Lumen



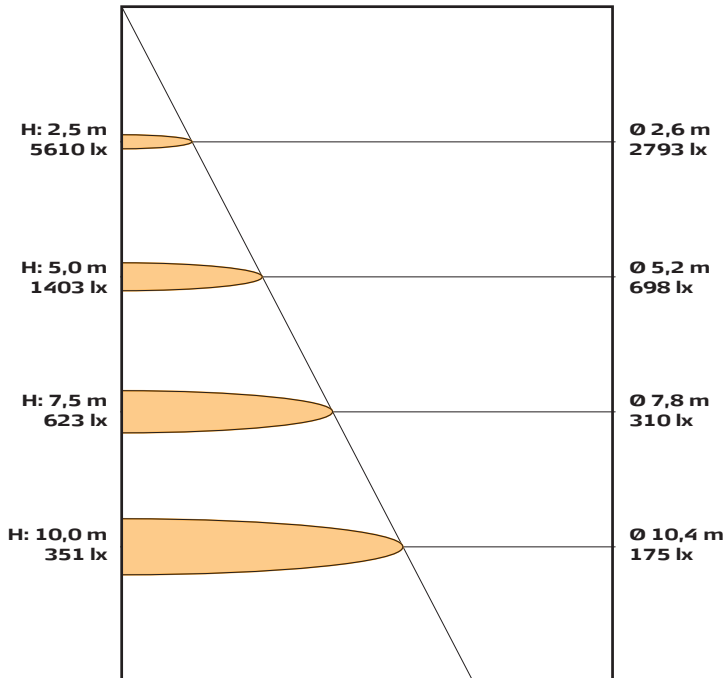
Housing	Durable, break-proof aluminium housing, weather-resistant due to high-grade powder coating
Protection type	Dust-proof and hose-proof according to IP 65
Reflector	Special development from high grade pre-anodised reflector material for maximum yield of light and uniform light distribution, pleasant bright-dark transition, beam angle 135°
Lamps	2 x High Power LED, neutral white 4000 kelvin, colour rendering index CRI =>80 23,100 lumen (equates to 2,000 watt halogen)
Connection load	Voltage 100...277 V AC, frequency 50/60 Hz, input power approx. 177 W Suitable for worldwide use in all public grids
Ambient temperature	-25 °C to +50 °C, without connection cable -40 °C to +50 °C
Thermal overload protection	Reduction of power input in case of over-temperature
Safety glass	Tempered safety glass 317 x 176 mm, optical outlet 154 x 85 mm, impact-resistant support by continuous seal, insensitive to temperature differences
Lead	10 m, heavy rubber hose line H 0 7 RN-F 3G 1.5 (or higher quality) with Schuko plug, detentable, 16A 250 V acc. to DIN VDE 0620
Mounting	By means of joint and mounting element for Ø 30 mm pin (DIN 14 640) on all relevant supports such as tripods, vehicles, etc.
Handles	1 carrying handle and two side handles for optimum manipulation, the side handles also serve to wind and unwind the cable
Weight	Approx. 7.7 kg (with 10 m cable and plug)
Special versions	For installation on light poles, turntable ladders, boom lifts, etc. Any desired cable length and approved plugs available - also available without plugs, handles, joint or mounting element



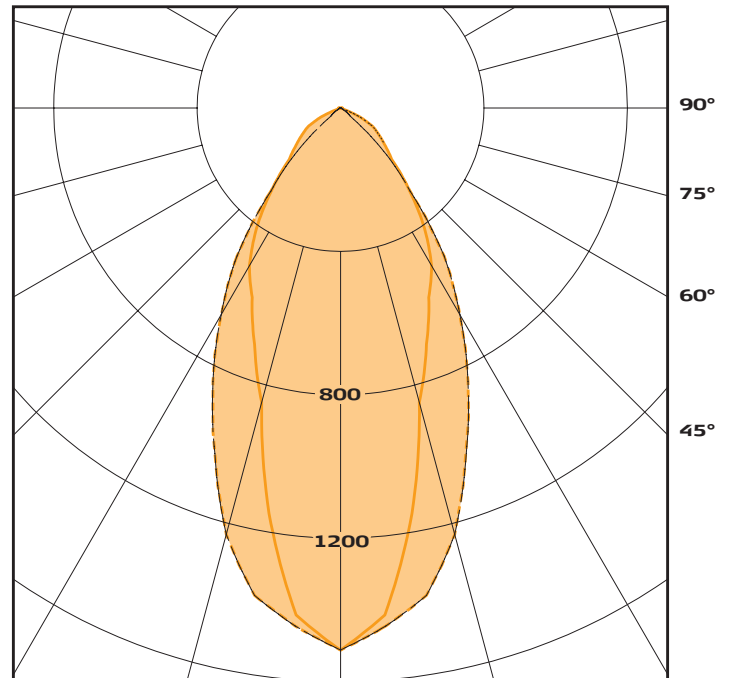
KARL *Meister* GmbH

LED FLOODLIGHT LED 180 AC

Half-peak angle: 55,0°



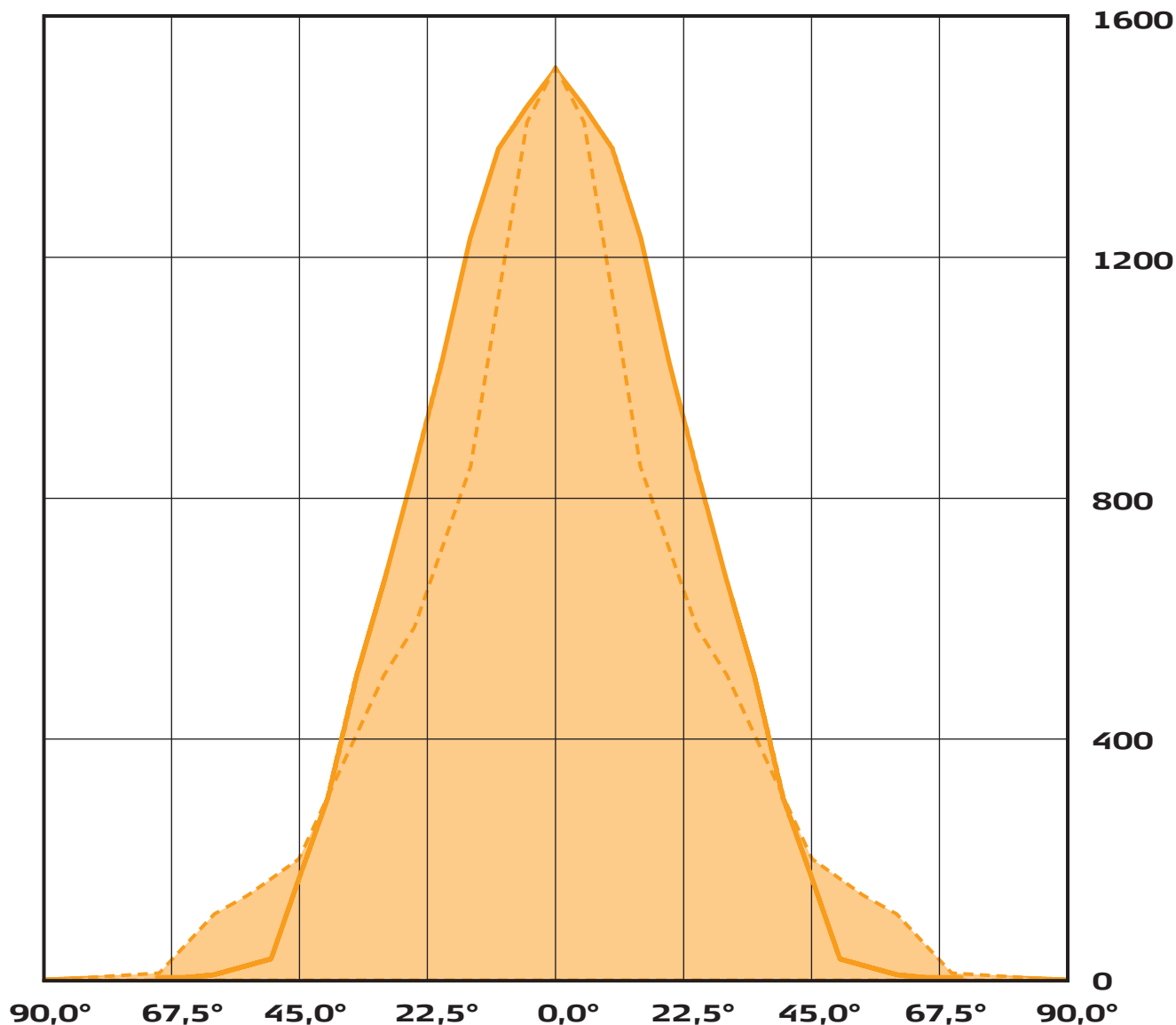
Luminous intensity distribution, polar



LED FLOODLIGHT LED 180 AC

Luminous intensity distribution/Cartesian

Cut-off angle gamma



I (cd/klm)

— C 0,0

- - - C 90,0

KARL *Meister* GmbH