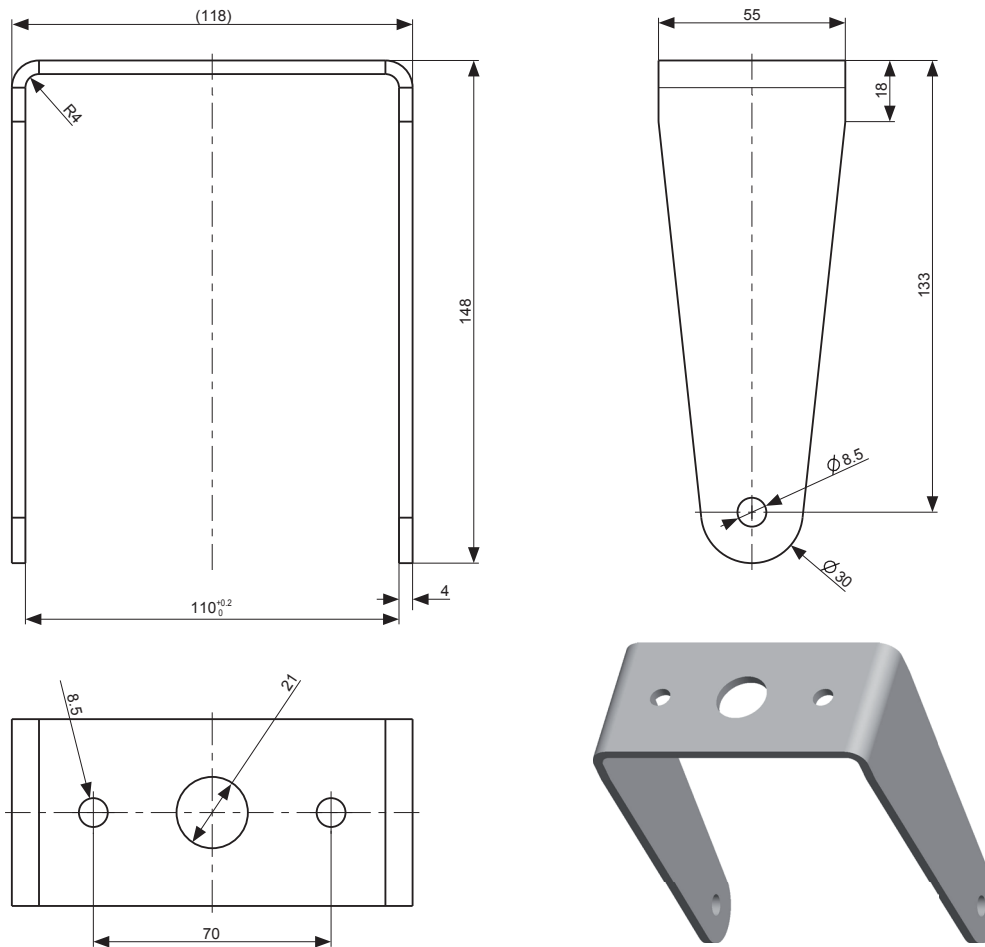


# STIRRUP MOUNTING BRACKET, WALL MOUNT



Dimensions	148 x 118 x 55 mm
Dead weight	0.2 kg
Material	Corrosion-proof aluminium, stainless steel available on request
Mounting	<p>The stirrup mounting bracket can be installed using screws and dowel pins (not included in the package) suitable for the respective substrate.</p> <p>The lamp is mounted to the stirrup bracket using a set of stainless steel screws (included in the package)</p>
Connection	The power supply lined is routed through the centred Ø 21 mm hole in the bracket.
Possible adjustments	Vertical
Range of applications	The stirrup mounting bracket is used for permanent installation of a Karl Meister lamp (e.g. buildings, walls).



KARL *Meister* GmbH