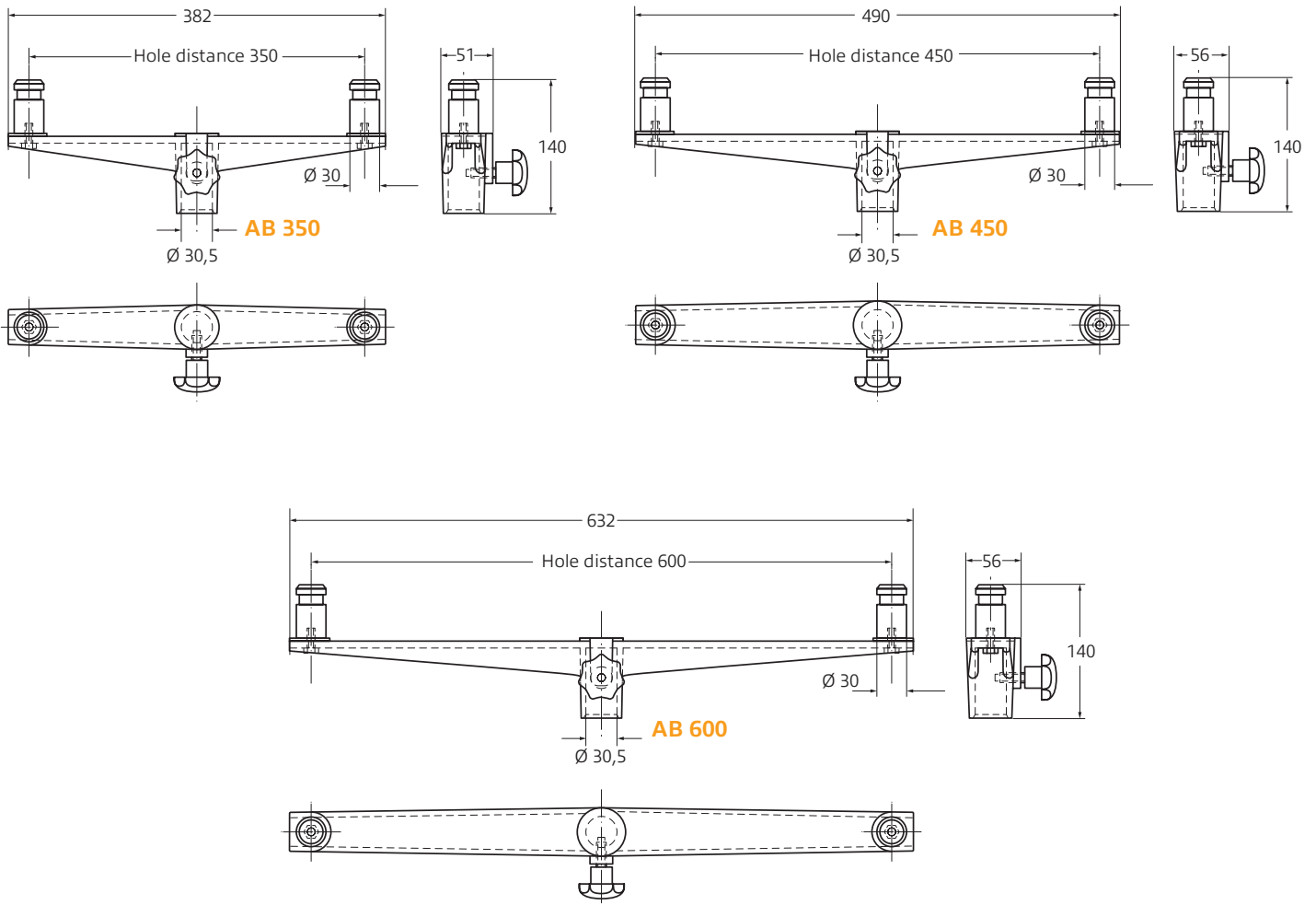


# SUPPORTING BRIDGES AB 350 > AB 450 > AB 600

WITH CENTERING ACCORDING TO DIN 14 640



Supporting bridges	made of die cast aluminium, black, powder-coated, 2 aluminium bolts 30 mm acc. to DIN 14640, with star screw
AB 350	for 2 floodlights BS 1000, weight 0.8 kg
AB 450	for 2 floodlights LED 90, LED 130, LED 180, BS 1000 or FS 1000, weight 1.3 kg
AB 600	for 2 floodlights LED 90, LED 130, LED 180, HS 1500, BS 1000, FS 1000 or FS 1500, weight 1.5 kg
	The respective floodlights can be rotated by 360° without obstructing each other



KARL *Meister* GmbH