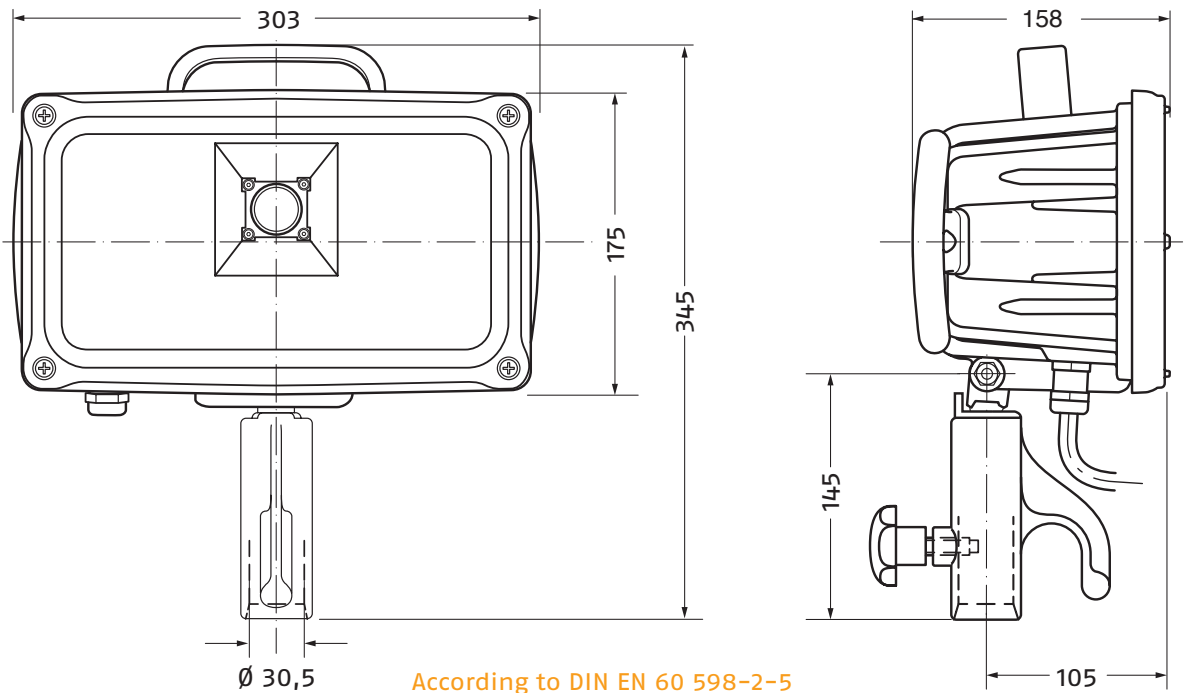


LED FLOODLIGHT LED 90 DC

with 1 x High Power LED 15,100 Lumen



Housing	Durable, break-proof aluminium housing, weather-resistant due to high-grade powder coating
Protection type	IP 67, dust-proof and protection against temporary immersion
Reflector	Specially developed from high grade pre-anodised reflector material for maximum yield of light and uniform light distribution, pleasant bright-dark transition
Lamps	1 x High Power LED, neutral white 4000 kelvins, colour rendering index CRI = >80 15,100 lumen (equates to approx. 1000 watt halogen)
Connection load	Voltage 12-24 V (10-32 V) DC, power input approx. 108 W. Current input at 12 V: 9,0 amperes, at 24 V: 4,5 amperes, integrated polarity protection
Ambient temperature	-25 °C to 50 °C, without connection cable -40 °C to 50 °C
Thermal overload protection	Reduction of power input in case of over-temperature
Safety glass	Tempered safety glass 262.6 x 139, optical outlet 75 x 80 mm, impact-resistant support by continuous seal, insensitive to temperature differences
Lead	10 m, heavy rubber hose line H 0 7 RN-F 2 x 2.5 mm ² (or higher quality) with charge plug, lockable, 30A 6-42 V acc. to DIN 14690
Mounting	By means of joint and mounting element for $\varnothing 30$ mm pin (DIN 14 640) on all relevant supports such as tripods, vehicles, etc.
Handles	1 carrying handle and two side handles for optimum manipulation, the side handles also serve to wind and unwind the cable
Weight	Approx. 6.0 kg (with 10 m cable and plug)
Special versions	For installation on light poles, turntable ladders, boom lifts, etc. Any desired cable length and approved plugs available - also available without plugs, handles, joint or mounting element

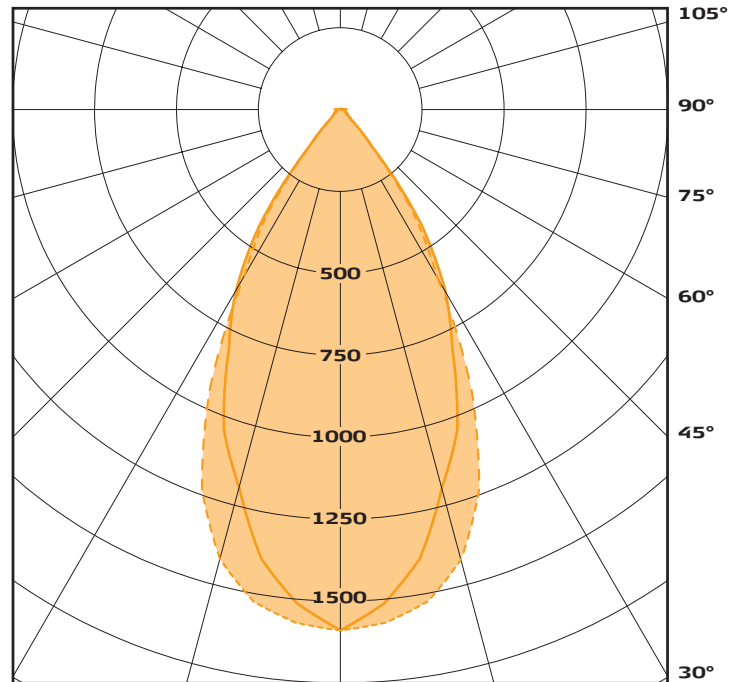
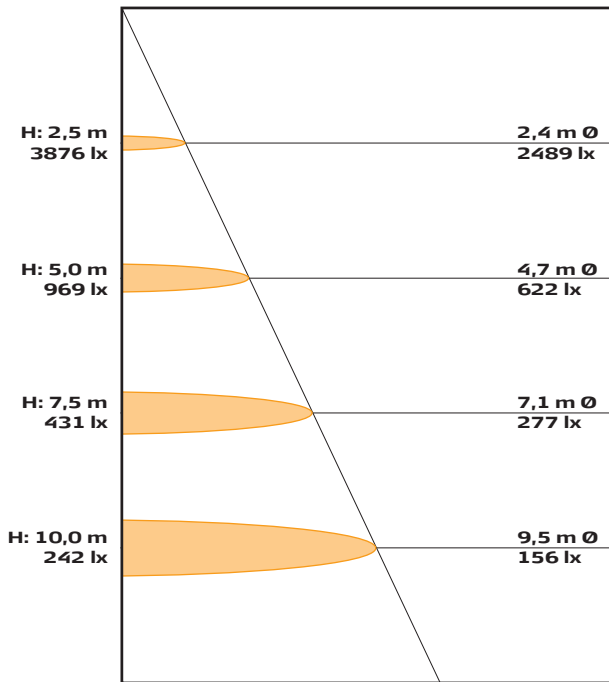
Please make sure that your voltage and power source is sufficient for the required output. Due to voltage losses in the connecting line a minimum of 12 volts must be available at the connecting point (socket).



LED FLOODLIGHT LED 90 DC

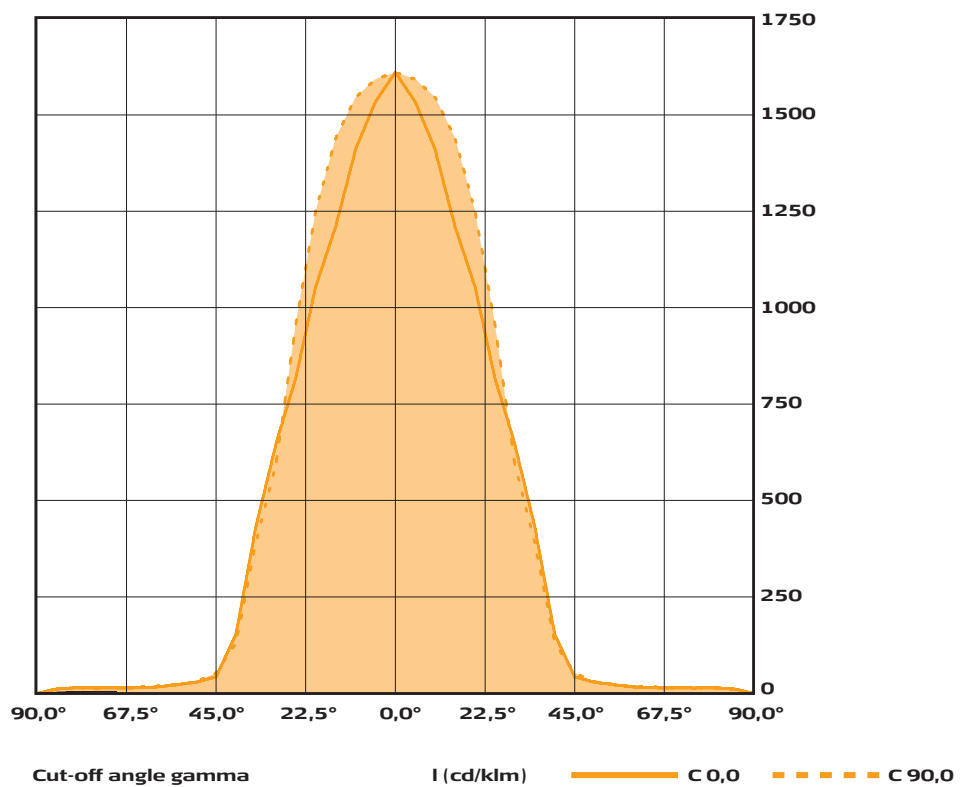
Half-peak angle: 50,8°

Luminous intensity distribution, polar



I (cd/klm) ——— C 0,0 - - - - C 90,0

Luminous intensity distribution/Cartesian



Cut-off angle gamma I (cd/klm) ——— C 0,0 - - - - C 90,0

