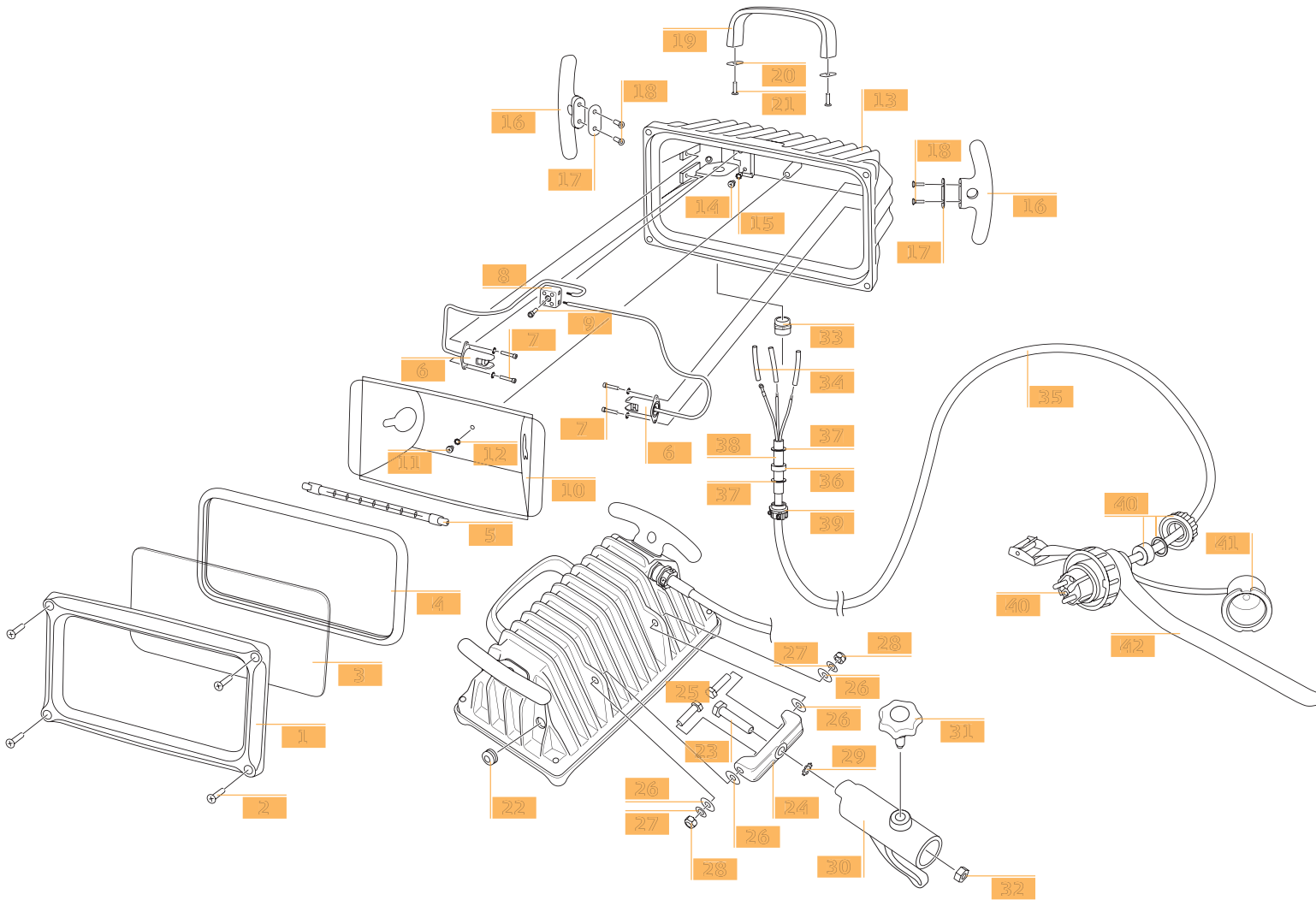


Halogen Floodlights BS spare parts

valid from construction year 1994



Karl Meister GmbH
Lighting Devices

after-sales service:
Markwiesenstrasse 30
72770 Reutlingen
Germany
phone +49 (0)7121/566012
fax +49 (0)7121/566013
www.karl-meister.de
info@karl-meister.de

customer advisory + sale:
Hummelbergweg 58
71229 Leonberg-Silberberg
Germany
phone +49 (0)7152/998160
fax +49 (0)7152/998161
or +49 (0)7152/58361
leonberg@karl-meister.de

IMAGE	ORDER NO	DESIGNATION	DIMENSIONS	UNITS
1	134	Frame	287 x 165 aluminium	1
2	134 A	Fastening screws for frame	DIN 965 cross-slit countersink screw, stainless steel A2-70 M6 x 30	4
3	130	Glass pane	258 x 132 x 3.3	1
4	149	Profile seal	14 x 631	1
5	120, 121, 125	Glow lamp	230 V/500 W -/1000 W -/750 watts, overall length:190mm	1
6	154	Glow stick holder with power cable -and terminal block	39 x 35 x Ø 20	2
7	154 A	Fastening screw for glow-stick holder	Cylindrical screw, with hexagon socket, DIN 912 quality, 8.8 M3 x 10	4
8	154 B	Terminal block, porcelain	20 x 20 x 15 double terminal with central fixture	1
9	154 C	Fastening screws for terminal block	DIN 7991-quality 10.9 M 4 x 16 cylindrical screws with hexagon sockets	1
10	137	Reflector	250 x 130 x 75	1
11	137 A	Fastening screw for reflector	Cross-slit DIN 7985 M 4 x 6 raised countersink head screw + toothed washer	1
12	137 B	Toothed washer for reflector	A2 DIN 6797 toothed washer, galvanised M4	1
13	170	Lamp housing	280 x 160 x 128 aluminium	1
14	170 C	Fastening screws for earth connection	Cross-slit DIN 7985 M 4 x 6 raised countersink head screw	1
15	170 D	Toothed washer for earth connection	A2 DIN 6797 toothed washer, galvanised M4	1
16	139	Aluminium side grip	130 x 38 x 17	2
17	139 A	Rubber seal for side grips	37 x 17 x 1	2
18	139 B	Fastening screws for side grips	DIN 7991-quality 10.9 M 4x12 countersink screw with hexagon socket	4
19	138	Aluminium carrying handle	129 x 50 x 28	1
20	138 A	Rubber seal for carrying handle	30 x 9 x 1	2
21	138 B	Fastening screws for carrying handle	DIN 7991-quality 10.9 M 4x16 countersink screw with hexagon socket	2
22	170 A	Valve	Ø 17 x 6	1
23	140 A	Fastening screw for attachment piece	Hexagonal screw, quality 4.6, galvanised DIN 933, M10 x 45	1
24	141	Aluminium articulation piece	92 x 24 x 32	1
25	141 A	Fastening screw for articulation piece	Hexagonal screw, quality 8.8 galvanised DIN 933, M8 x 25	2
26	141 B	Washer for articulation piece	8.4 x 20 x 1.5, galvanised steel	4
27	141 C	Spring-lock washer for articulation piece	Ridged DIN 137 M8 spring-lock washer	2
28	141 D	Nut for articulation piece	DIN 982 M8 hexagonal nut, galvanised, self-locking	2
29	140 B	Toothed washer for attachment piece	M10 toothed washer	1
30	140	Aluminium attachment piece	130 x 105 x Ø 40	1
31	140 C	Star screw	M10 x 30 galvanised	1
32	140 D	Fastening nut for attachment piece	DIN 934 M10 galvanised hexagonal nut	1
33	160 A	Cable feed-through	PG 11	1
34	160 B	Silicone sheath for cable feed-through	66 x Ø10 x 1	3
35	160 K 160 L	Connecting cable, special length Connecting cable, standard 10-m	H07 RN-F 3G 1.5 in compliance with VDE 0282T.810, black H07 RN-F 3G 1.5 in compliance with VDE 0282T.810, black	1 1
36	160 C	Rubber seal for connecting cable	Ø 17 x 11	1
37	160 D	Clamping ring for connecting cable	Ø 17 x 12	2
38	160 E	Silicone sheath for cable connection	51 x Ø3 x 1	1
39	160 F	Strain relief	Gripper clamp	1
40	161	Connector	Mennekes safety plug in compliance with DIN 49442/43 with bayonet ring	1
41	161 A	Protective cap	Mennekes protective cap in compliance with DIN EN 60309-2, protection class: IP67	1
42	161 B	Cable-restraining belt with clamp	460 x 25	1